



BETTER
DESIGNED
LIGHTING

4150022 HANGING PENDANT

Dimensions (as shown): 7"Dia x 13"H

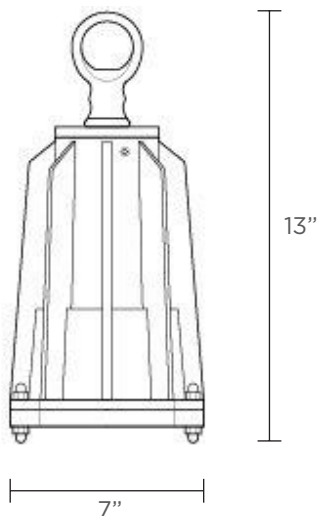
Materials: Cast Aluminum, Glass

Socket: (1) E26

Voltage: 120v

Suspension: Includes 8' chain

Custom sizing, lamping options, and voltages available. Please contact BDL for additional information.



Cast aluminum finish options:

Natural or Polished

Plated finishes available (*upcharge applies*)

Glass options:

Clear, Frosted, Weathered