

## 4150021 HANGING PENDANT

---

Dimensions (as shown): 5.5"Dia x 14"H

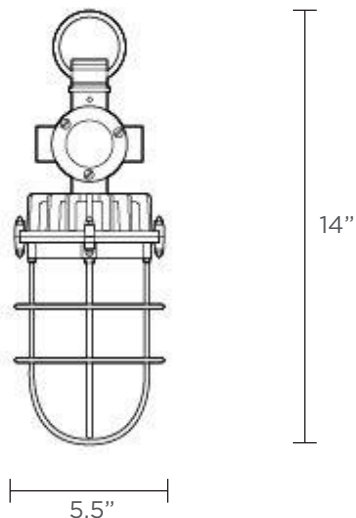
Materials: Cast Aluminum

Socket: (1) E26

Voltage: 120v

Suspension: Includes 8' chain

Custom sizing, lamping options, and voltages available. Please contact BDL for additional information.



---

### Cast aluminum finish options:

Natural or Polished

Plated finishes available (*upcharge applies*)