



BETTER  
DESIGNED  
LIGHTING

## 4150012 HANGING PENDANT

---

Dimensions (as shown): 13"Dia x 27"H

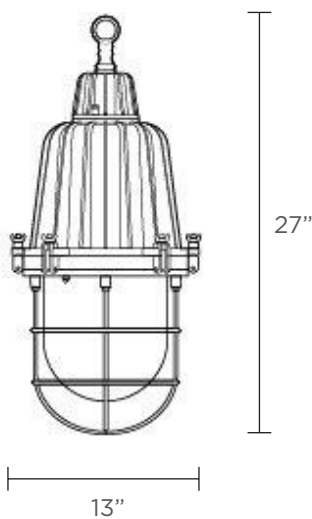
Materials: Cast Aluminum, Glass

Socket: (1) E26

Voltage: 120v

Suspension: Includes 8' chain

Custom sizing, lamping options, and voltages available. Please contact BDL for additional information.



### Cast aluminum finish options:

Natural or Polished

Plated finishes available (*upcharge applies*)

### Glass options:

Clear, Frosted, Weathered